

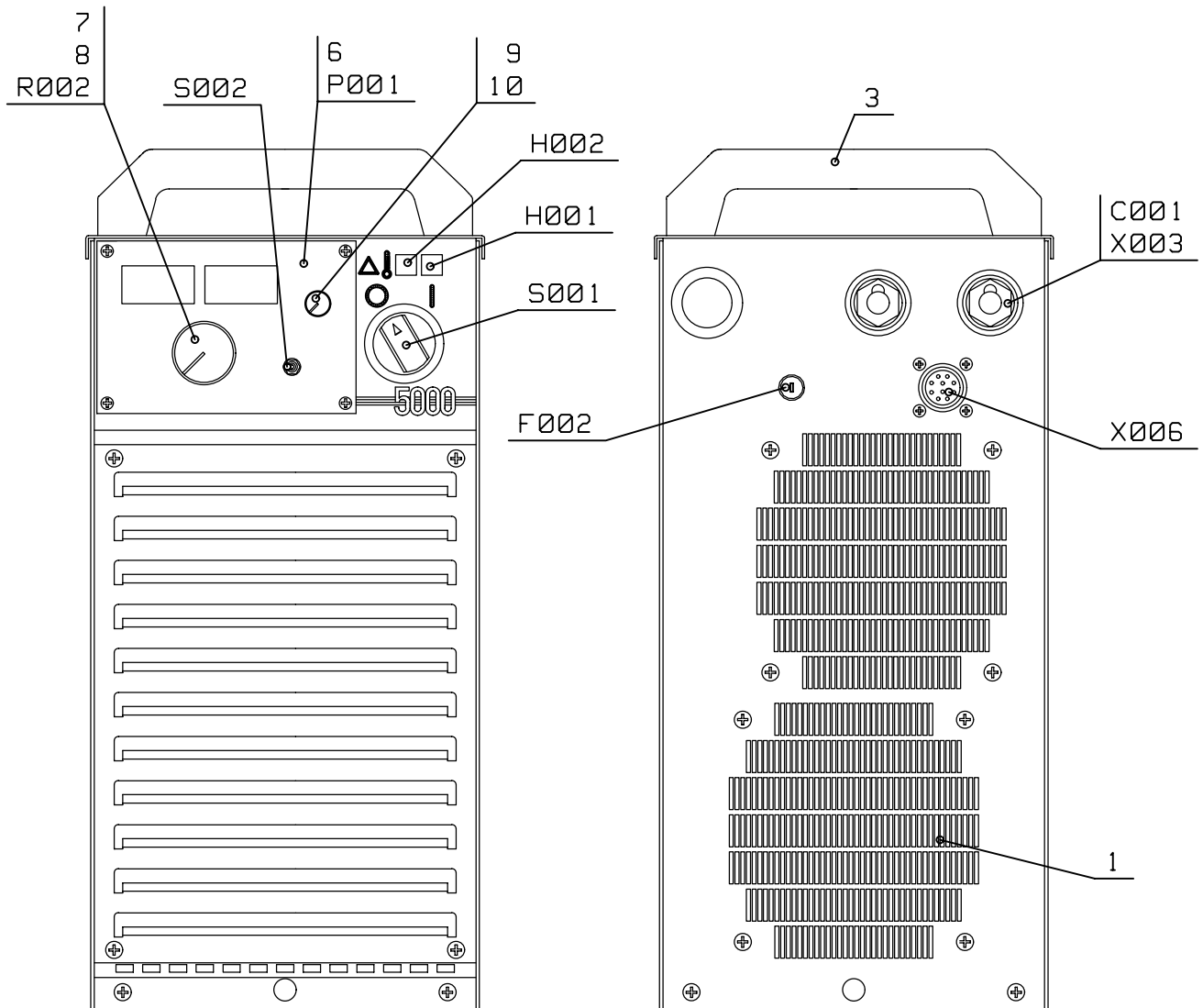
# MASTER 5000

1913260

V130513

VARAOSAT  
RESERVDLAR  
RESERVE DELER  
RESERVEDELE

SPARE PARTS  
ERSATZTEILE  
ONDERDELEN  
PIECES DETACHEES



VARAOSALUETTELO ON VOIMASSA ALKAEN NUMEROSTA 909638  
RESERVDLISLISTAN AR IKRAFT FROM NUMMER 909638  
RESERVEDELS LISTEN ER GYLDIG FRA NUMMER 909638  
RESERVEDELSLISTE ER GÆLDENDE FRA NUMMER 909638  
SPARE PART LIST IS VALID FROM NUMBER 909638  
DIE ERSATZTEILELISTE IS AB NUMMER 909638 GÜLTIG  
ONDERDELENLIJST IS GELDIG VANAF NUMMER 909638  
LA LISTE DES PIECES DETACHEES EST VALABLE A PARTIR  
DU NUMERO 909638



# KEMPPI

1026230 C

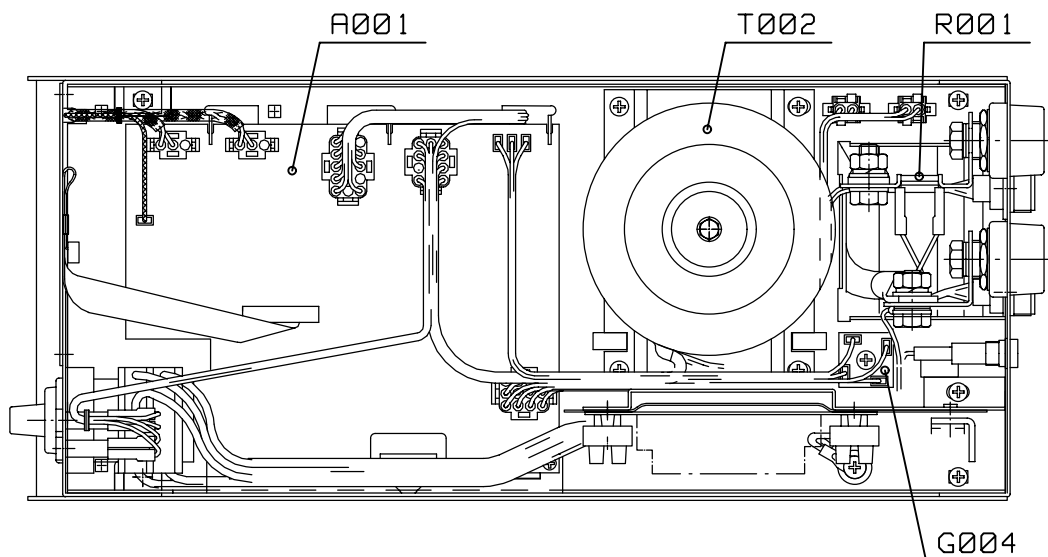
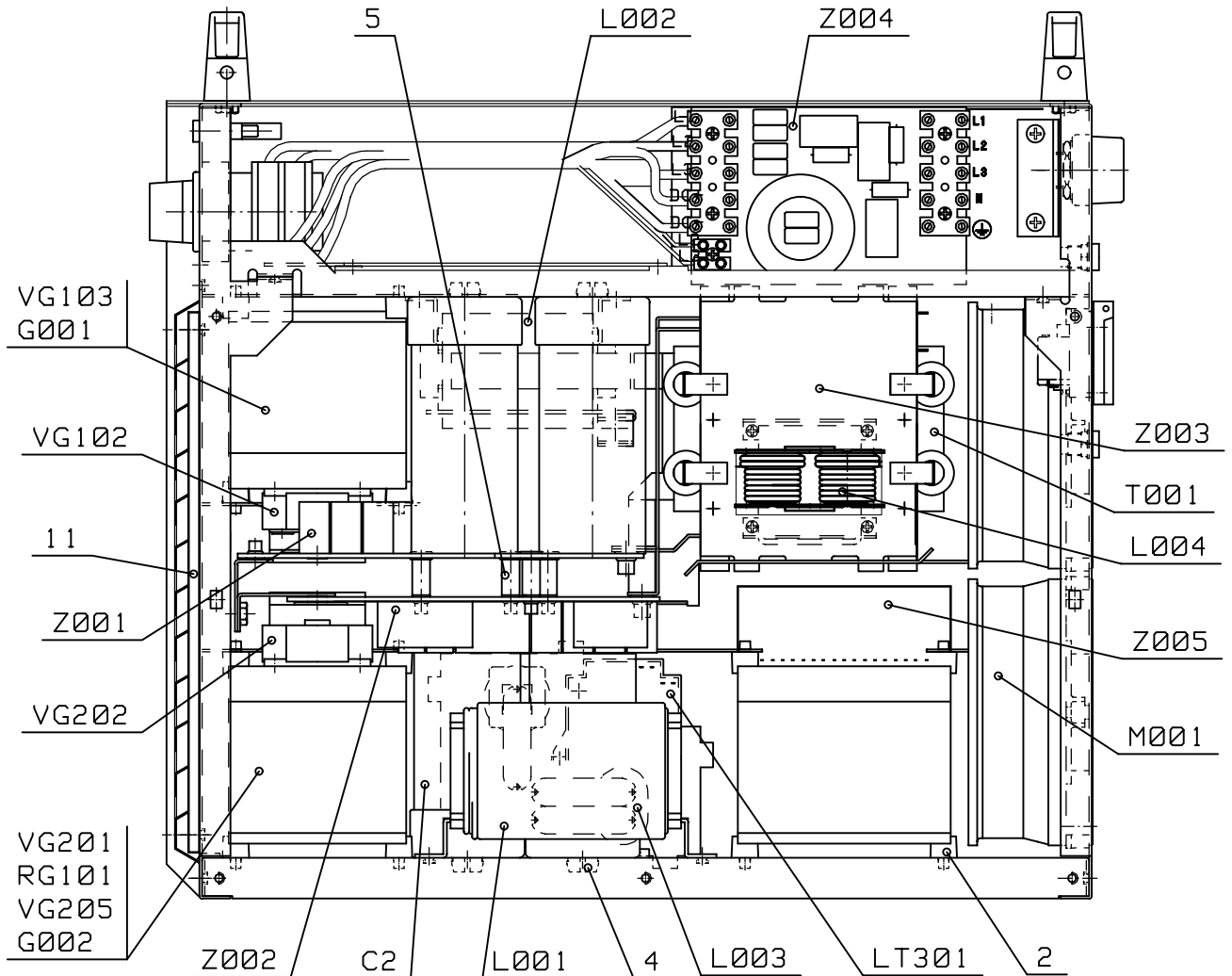
# MASTER 5000

1913260

VARAOSAT  
RESERVDLAR  
RESERVE DELER  
RESERVEDELE

SPARE PARTS  
ERSATZTEILE  
ONDERDELEN  
PIECES DETACHEES

V130513



Tilausno	Osano	Nimike	Määrä
4271790	A001	OHJAUSKORTTI A001 MASTER 5000	1
4222073	C001	KONDENSAATTORI 0,1UF/250VAC	3
9755264	C2	KONDENSAATTORI 75 UF	5
9772517	F002	LP.SULAKE 1A HIDAS 5 X 20	1
9772551	F002	SULAKEPESÄ + MUTTERI	1
3131300	G001	ENSIÖYKSIKKÖ G001 PRO 5000	1
9750126	G004	DIODISILTA	1
9775730	H001	MERKKILAMPPU VIHRI	1
9775729	H002	MERKKILAMPPU KELT	1
9777537	LT301	VIRTAMUUNTAJA 1:250 PRO	1
3131320	L001	ENSIÖKURISTIN PRO 4000-5000	1
3134070	L002	TOISIOKURISTIN L002 PRO 5000	1
3131490	L003	KOMM.KURISTIN YKS. L003 PRO	1
3143100	L004	KURISTIN PRO 3000,4000	1
9544214	M001	PUHALLIN MASTER 2800/3500	2
313605098	P001	VAIHTOPANEELI MASTER 5000	1
4222075	RG201	VARISTORI 460V MIN 40J 6/6	1
4261810	R001	SIVUVIRTAVASTUS 450A/60MV	1
9754152	R002	POTENTIOMETRI 10 KOHM CERMET	1
9760611	S001	KYTKIN	1
9761320	S002	KYTKIN	1
2059290	T001	PÄÄMUUNTAJA T001,PRO 5000	1
3145080	T002	APUMUUNTAJA	1
4270380	VG102	IGBT-YKS.VARAOS. G001 PRO 5000	1
4277680	VG103	VARAOSA DIODIYKS. 2X20A	2
9750173	VG201	TASASUUNTAUSYKSIKKÖ	1
4270380	VG202	IGBT-YKS.VARAOS. G001 PRO 5000	1
9750126	VG205	DIODISILTA	1
9771540	X003	KONELIITIN NAARAS DIX 70	2
9770116	X006	OHJAUSK.KONELIITIN	1
4261630	Z001	PÄÄPIIRIKORTTI Z001 PRO 5000	1
4261640	Z002	PÄÄPIIRIKORTTI Z002 PRO 5000	1
4288810	Z003	SUODINKORTTI PRO 3000, 4000	1
4277580	Z004	SUODINKORTTI Z004 PRO/M5000	1
4291310	Z005	DIODIKORTTI PRO 5000	4
2069250	1	PUHALTIMEN ERISTE	2
2059530	2	KIINNITYSPALA	24
2062900	3	MUOVIKAHVA 26X50X217/188	2
9412690	3	NELIÖMUTTERI	4
4268110	4	KONDENS. TUKI PRO 3000-5000	5
4261520	5	KIERREPULTTI	4
4271780	6	KALVOPANEELI MASTER 5000	1
9759111	7	NUPPI D36	1
9759122	8	KANSILEVY NUPILLE D36	1
9759109	9	NUPPI D15	1
9759126	10	KANSILEVY NUPILLE D15 PUN.	1
4273790	11	SUODINLEVY 214X304X6 AL PRO	1
2063860		PIIRIKAAVIO MASTER 5000	1
9770460		LIITINRUNKO 15 NAP. UROS	2
9770464		KOSKETIN, NAARAS	24

Beställnr	Del	Beteckning	St.
4271790	A001	STYRKORT A001 MASTER 5000	1
4222073	C001	KONDENSATOR 0,1UF/250VAC	3
9755264	C2	KONDENSATOR 75UF	5
9772517	F002	SÄKRING 1A TRÖG 5 X 20	1
9772551	F002	SÄKRINGSDOSA+MUTTER	1
3131300	G001	PRIMÄRENHET G001 PRO 5000	1
9750126	G004	DIODBRYGGA	1
9775730	H001	SIGNALLAMPA GRÖN	1
9775729	H002	SIGNALLAMPA GUL	1
9777537	LT301	STRÖMTRANSFORMATOR 1:250 PRO	1
3131320	L001	PRIMÄRDROSSEL PRO 4000-5000	1
3134070	L002	SEKUNDÄRDROSSEL L002 PRO 5000	1
3131490	L003	KOMMUTERINGSENHET L003 PRO	1
3143100	L004	DROSSEL PRO 3000,4000	1
9544214	M001	VENTILATOR MASTER 2800/3500	2
313605098	P001	VÄXELPANEL MASTER 5000	1
4222075	RG201	VARISTOR 460V MIN 40J 6/6	1
4261810	R001	SHUNTMOTSTÅND 450A/60MV	1
9754152	R002	POTENTIOMETER 10 KOHM CERMET	1
9760611	S001	BRYTARE	1
9761320	S002	BRYTARE	1
2059290	T001	HUVUDTRANSFORMATOR T001,PRO 5000	1
3145080	T002	HJÄLPTRANSFORMATOR	1
4270380	VG102	IGBT MODUL G001 PRO 5000	1
4277680	VG103	DIODENHET 2X20A	2
9750173	VG201	LIKRIKTARENHET	1
4270380	VG202	IGBT MODUL G001 PRO 5000	1
9750126	VG205	DIODBRYGGA	1
9771540	X003	MASKINK.F.SVETSK. DIX 70	2
9770116	X006	HYLSUTT. F MAN.KABEL	1
4261630	Z001	HUVUDKRETSKORT Z001 PRO 5000	1
4261640	Z002	HUVUDKRETSKORT Z002 PRO 5000	1
4288810	Z003	FILTERKORT PRO 3000, 4000	1
4277580	Z004	FILTERKORT Z004 PRO/M5000	1
4291310	Z005	DIODKORT PRO 5000	4
2069250	1	ISOLERING FÖR FLÄKT	2
2059530	2	FÄSTSTYCKE	24
2062900	3	PLASTHANDTAG 26X50X217/188	2
9412690	3	FYRKANTSMUTTER	4
4268110	4	STÖD FÖR KONDENSATOR PRO 3000-5000	5
4261520	5	GÄNGPULT	4
4271780	6	MEMBRANPANEL MASTER 5000	1
9759111	7	KNOPP D36	1
9759122	8	KNOPPENSDÄCKPLATTA D36	1
9759109	9	KNOPP D15	1
9759126	10	KNOPPENSDÄCKPLATTA D15 RÖD	1
4273790	11	FILTERPLÅT 214X304X6 AL PRO	1
2063860		KOPPLINGSSHEMA MASTER 5000	1
9770460		STIFTBLOCK 15-POLIG	2
9770464		KONTAKTSTIFT, HONA	24

Bestillings nr.	Dele nr.	Beskrivelse	Stk.
4271790	A001	STYREKORT A001 MASTER 5000	1
4222073	C001	KONDENSATOR 0,1UF/250VAC	3
9755264	C2	KONDENSATOR C001 PS 2800	5
9772517	F002	SIKRING 1 A TREG 5X20 M	1
9772551	F002	SIKRINGSDYSE F/5 X 20	1
3131300	G001	PRIMÆRENHET G001 PRO 5000	1
9750126	G004	DIODEBRYGGE 35A 600V	1
9775730	H001	SIGNALLAMPE GRØNN	1
9775729	H002	SIGNALLAMPE GUL MASTER	1
9777537	LT301	STRØMTRAFO 1:250 PRO	1
3131320	L001	PRIMÆRDROSSEL PRO 4000-5000	1
3134070	L002	SEKUNDÆRDROSSEL PRO 5000	1
3131490	L003	KOMMUTERINGSENHET L003 PRO	1
3143100	L004	DROSSEL PRO 3000,4000	1
9544214	M001	VENTILATOR MASTER 2800/3500	2
313605098	P001	BYTTEPANEL MASTER 5000	1
4222075	RG201	VARISTOR RG101 PS-35/5000	1
4261810	R001	MOTSTAND SHUNT 450A/60MV	1
9754152	R002	POT METER PRO-ML 10 KOHM	1
9760611	S001	HOVEDBRYTER PS 3500	1
9761320	S002	BRYTER	1
2059290	T001	HOVED TRAFO PRO-5000	1
3145080	T002	HJELPTRANSFORMATOR	1
4270380	VG102	IGBT G001 PRO 5000	1
4277680	VG103	DIODE ENHET 2X20A	2
9750173	VG201	LIKERETTERENHET PRO 5000	1
4270380	VG202	IGBT G001 PRO 5000	1
9750126	VG205	DIODEBRYGGE 35A 600V	1
9771540	X003	MASKINKONTAKT DIX 70	2
9770116	X006	AMPH CHASSIS 10P HUN	1
4261630	Z001	STYREKORT Z001 PRO 5000	1
4261640	Z002	STYREKORT Z002 PRO 5000	1
4288810	Z003	FILTERKORT PRO 3000, 4000	1
4277580	Z004	FILTERKORT Z004 PRO/M5000	1
4291310	Z005	DIODEKORT PRO 5000	4
2069250	1	ISOLERING FOR VIFTE	2
2059530	2	PRO-FESTESTYKKE	24
2062900	3	PLASTHÅNDTAK PRO 26X50X217/188	2
9412690	3	FIRKANTMUTTER	4
4268110	4	STØTTE F/KONDENSATOR PRO 3000-5000	5
4261520	5	GJENGEOLT	4
4271780	6	PANELMEMBRAN MASTER 5000	1
9759111	7	REGULERINGSKNAPP 36/6	1
9759122	8	DEKKPLATE D36	1
9759109	9	REGULERINGSKNAPP 15/6	1
9759126	10	DEKKPLATE D15 RØD	1
4273790	11	ALUMINIUM FILTER 214X304X6 AL PRO	1
2063860		KOBLINGSSKJEMA MASTER 5000	1
9770460		PLUGG 15 POL	2
9770464		KONTAKT, HUN	24

Varenr.	Positionsnr.	Beskrivelse	Stk	
4271790	A001	A001 KORT	MASTER 5000	1
4222073	C001	KONDENSATOR	0,1UF/250VAC	3
9755264	C2	KONDENSATOR 75UF	PRO	5
9772517	F002	SIKRING 5 X 20 1A.	TRÆG	1
9772551	F002	SIKRINGSHOLDER	F/5 X 20	1
3131300	G001	PRIMÆRENHED	G001 PRO 5000	1
9750126	G004	DIODEBRO 35 A 600 V		1
9775730	H001	SIGNALLAMPE	MASTER	1
9775729	H002	SIGNALLAMPE	MASTER	1
9777537	LT301	STRØMTRAFO	1:250 PRO	1
3131320	L001	PRIMÆRDROSSEL	PRO 4000/5000	1
3134070	L002	SEKUNDÆRDROSSEL	L002 PRO 5000	1
3131490	L003	KOMMUTERINGSSENHED	L003 PRO	1
3143100	L004	DROSSEL	PRO 3000,4000	1
9544214	M001	VENTILATOR	MASTER 2800/3500	2
313605098	P001	BYTTERPANEL	MASTER 5000	1
4222075	RG201	VARISTOR	460V MIN 40J 6/6	1
4261810	R001	SHUNTMODSTAND PRO	450A/60MV	1
9754152	R002	POTENTIOMETER	10 KOHM CERMET	1
9760611	S001	HOVEDAFBRYD.PRO 5000	OG HILARC 450	1
9761320	S002	OMSKIFTER	AC/DC 250	1
2059290	T001	HOVEDTRANSFORMER	T001 PRO 5000	1
3145080	T002	HJÆLPETTRANSFORMATOR		1
4270380	VG102	IGBT MODUL G001	PRO 5000	1
4277680	VG103	DIODEENHED	2X20A	2
9750173	VG201	ENRETTERENHED	PRO 5000	1
4270380	VG202	IGBT MODUL G001	PRO 5000	1
9750126	VG205	DIODEBRO 35 A 600 V		1
9771540	X003	MASKINSTIK	DIX 70	2
9770116	X006	10 P. HUNSOKKEL		1
4261630	Z001	Z001 HOVEDKORT	PRO 5000	1
4261640	Z002	Z002 HOVEDKORT	PRO 5000	1
4288810	Z003	FILTERKORT	PRO 3000, 4000	1
4277580	Z004	Z004 FILTERKORT	PRO/M5000	1
4291310	Z005	DIODEKORT	PRO 5000	4
2069250	1	ISOL. FOR VENTILATOR		2
2059530	2	SPÆNDINGSSTYKKE		24
2062900	3	PLASTIKHÅNDTAG	26X50X217/188	2
9412690	3	FIRKANTMØTRIK		4
4268110	4	STØTTE F/KONDENSATOR	PRO 3000-5000	5
4261520	5	BOLT	PRO 5000	4
4271780	6	KLISTERMÆRKE	MASTER 5000	1
9759111	7	DREJEKNAP FOR ML	Ø 36 MM-LÅG=9759122	1
9759122	8	LÅG FOR DREJEKNAP ML	PASSER PÅ 9759111	1
9759109	9	DREJEKNAP	FOR 6 MM AKSEL	1
9759126	10	ENDEKNAP	D15 RØD	1
4273790	11	FILTER-ELEMENT AL	214X304X6 PRO	1
2063860		DIAGRAM	MASTER 5000	1
9770460		15 P.HANSTIK		2
9770464		HUNSTIFTER F/STIK		24

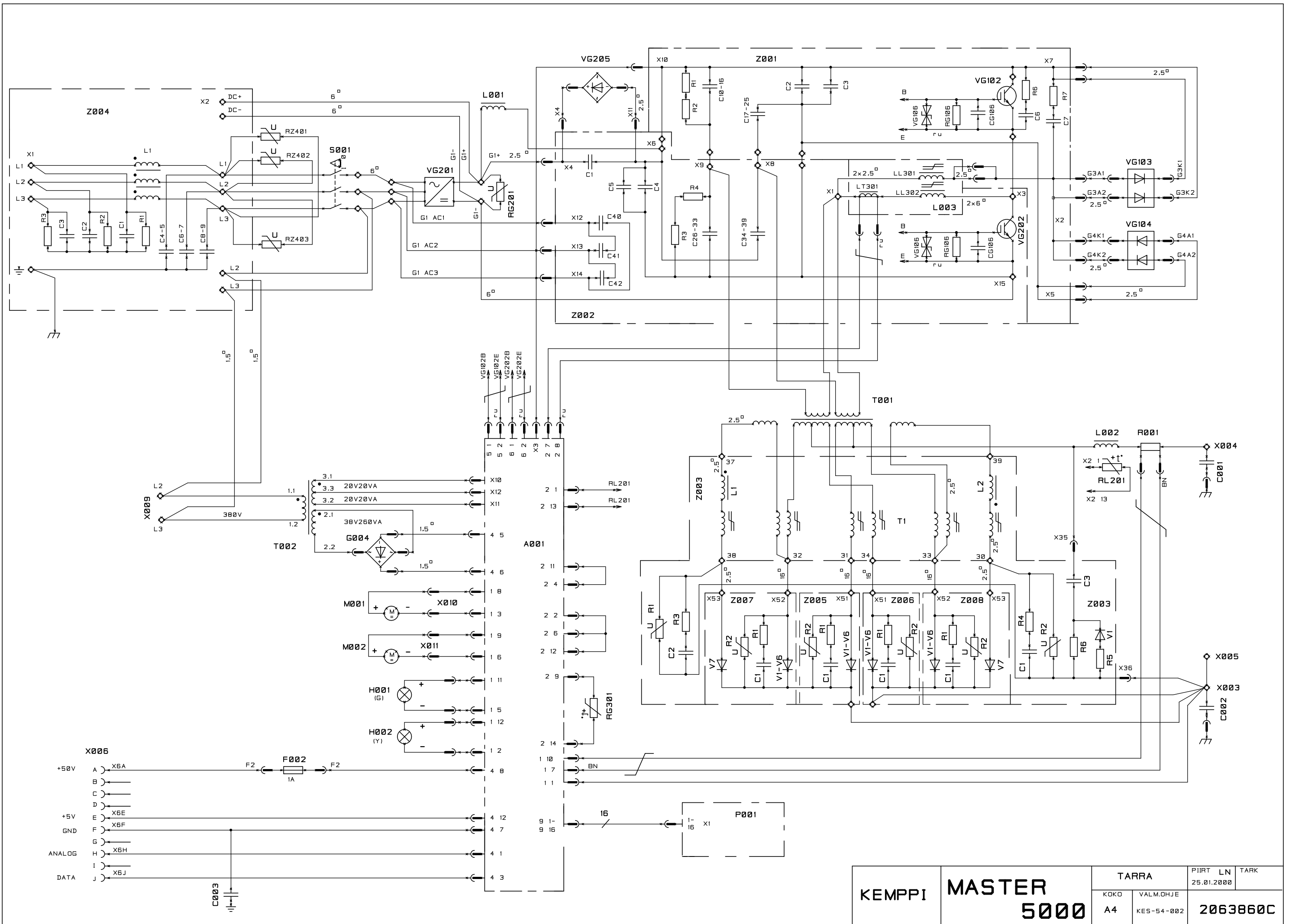
Order no.	Part	Description	Pc.
4271790	A001	CONTROL CARD A001 MASTER 5000	1
4222073	C001	CAPACITOR 0,1UF/250VAC	3
9755264	C2	CAPACITOR 75 UF	5
9772517	F002	FUSE 1A DELAYED 5 X 20	1
9772551	F002	FUSE BOX + NUT	1
3131300	G001	PRIMARY UNIT G001 PRO 5000	1
9750126	G004	DIODE BRIDGE	1
9775730	H001	SIGNAL LAMP GREEN	1
9775729	H002	SIGNAL LAMP YELLOW	1
9777537	LT301	CURRENT TRANSFORMER 1:250 PRO	1
3131320	L001	PRIMARY CHOKE PRO 4000-5000	1
3134070	L002	SECONDARY CHOKE L002 PRO 5000	1
3131490	L003	COMMUTATION UNIT L003 PRO	1
3143100	L004	CHOKE PRO 3000,4000	1
9544214	M001	COOLING FAN MASTER 2800/3500	2
313605098	P001	REPLACEMENT PANEL MASTER 5000	1
4222075	RG201	VARISTOR 460V MIN 40J 6/6	1
4261810	R001	SHUNT RESISTOR 450A/60MV	1
9754152	R002	POTENTIOMETER 10 KOHM CERMET	1
9760611	S001	SWITCH	1
9761320	S002	SWITCH	1
2059290	T001	MAIN TRANSFORMER T001,PRO 5000	1
3145080	T002	AUXIL. TRANSFORMER	1
4270380	VG102	SPARE PART IGBT G001 PRO 5000	1
4277680	VG103	DIODE UNIT 2X20A	2
9750173	VG201	RECTIFIER UNIT	1
4270380	VG202	SPARE PART IGBT G001 PRO 5000	1
9750126	VG205	DIODE BRIDGE	1
9771540	X003	MACHINE SOCKET	2
9770116	X006	MACHINE SOCKET	1
4261630	Z001	MAIN CIRCUIT CARD Z001 PRO 5000	1
4261640	Z002	MAIN CIRCUIT CARD Z002 PRO 5000	1
4288810	Z003	FILTER CARD PRO 3000, 4000	1
4277580	Z004	FILTER CARD Z004 PRO/M5000	1
4291310	Z005	DIODE CARD PRO 5000	4
2069250	1	INSUL. F COOLING FAN	2
2059530	2	FASTENING PIECE	24
2062900	3	PLASTIC HANDLE 26X50X217/188	2
9412690	3	SQUARE NUT	4
4268110	4	SUPPORT FOR CAPAC. PRO 3000-5000	5
4261520	5	SCREW BOLT	4
4271780	6	MEMBRANE PANEL MASTER 5000	1
9759111	7	KNOB D36	1
9759122	8	LOCK PLATE F KNOB D36	1
9759109	9	KNOB D15	1
9759126	10	LOCK PLATE F KNOB D15 RED	1
4273790	11	FILTER PLATE 214X304X6 AL PRO	1
2063860		CIRCUIT DIAGRAM MASTER 5000	1
9770460		PLUG 15 POLES	2
9770464		CONTACT, FEMALE	24

Bestellnr	Teil	Bezeichnung	St.
4271790	A001	STEUERKARTE A001 MASTER 5000	1
4222073	C001	KONDENSATOR 0,1UF/250VAC	3
9755264	C2	KONDENSATOR 75 UF	5
9772517	F002	SICHERUNG 1A TRÄGE 5 X 20	1
9772551	F002	SICHERUNGSSOCKEL	1
3131300	G001	PRIMÄREINHEIT G001 PRO 5000	1
9750126	G004	DIODENBRÜCKE	1
9775730	H001	SIGNALLAMPE GRÜN	1
9775729	H002	SIGNALLAMPE GELB	1
9777537	LT301	STROMTRANSFORMATOR 1:250 PRO	1
3131320	L001	PRIMÄRDROSSEL PRO 4000-5000	1
3134070	L002	SEKUNDÄRDROSSEL L002 PRO 5000	1
3131490	L003	KOMMUT.EINHEIT L003 PRO	1
3143100	L004	DROSSEL PRO 3000,4000	1
9544214	M001	VENTILATOR MASTER 2800/3500	2
313605098	P001	AUSTAUSHPANEL MASTER 5000	1
4222075	RG201	VARISTOR 460V MIN 40J 6/6	1
4261810	R001	NEBENSCHL.WIDERST. 450A/60MV	1
9754152	R002	POTENTIOMETER 10 KOHM CERMET	1
9760611	S001	SCHALTER	1
9761320	S002	SCHALTER	1
2059290	T001	HAUPTTRANSFORMATOR T001,PRO 5000	1
3145080	T002	HILFSTRANSFORMATOR	1
4270380	VG102	ERSATZTEIL IGBT G001 PRO 5000	1
4277680	VG103	DIODENEINHEIT 2X20A	2
9750173	VG201	GLEICHRICHTEREINHEIT	1
4270380	VG202	ERSATZTEIL IGBT G001 PRO 5000	1
9750126	VG205	DIODENBRÜCKE	1
9771540	X003	SCHWEISSKABELBUCHSE DIX 70	2
9770116	X006	STEUERKABELBUCHSE	1
4261630	Z001	HAUPTKREISKARTE Z001 PRO 5000	1
4261640	Z002	HAUPTKREISKARTE Z002 PRO 5000	1
4288810	Z003	FILTERKARTE PRO 3000, 4000	1
4277580	Z004	FILTERKARTE Z004 PRO/M5000	1
4291310	Z005	DIODENKARTE PRO 5000	4
2069250	1	ISOL. FÜR VENTILATOR	2
2059530	2	BEFESTIGUNGSSTÜCKE	24
2062900	3	KUNSTSTOFFGRIFF 26X50X217/188	2
9412690	3	VIERKANTMUTTER	4
4268110	4	STÜTZE FÜR KONDENS. PRO 3000-5000	5
4261520	5	GEWINDEBOLZEN	4
4271780	6	MEMBRANEPANEL MASTER 5000	1
9759111	7	KNOPF D36	1
9759122	8	DECKEL DES KNOPFES D36	1
9759109	9	KNOPF D15	1
9759126	10	DECKEL DES KNOPFES D15 ROT	1
4273790	11	FILTERPLATTE 214X304X6 AL PRO	1
2063860		SCHALTPLAN MASTER 5000	1
9770460		STECKER 15-POLIG	2
9770464		BUCHSENKONTAKT	24



Bestelnr	Deel	Omschrijving	St.
4271790	A001	PRINT A001 MASTER 5000	1
4222073	C001	CONDENSATOR 0,1UF/250VAC	3
9755264	C2	CONDENSATOR 75 UF	5
9772517	F002	ZEKERING 1 A TR. 5 X 20	1
9772551	F002	ZEKERINGHOUDER	1
3131300	G001	PRIMARY UNIT G001 PRO 5000	1
9750126	G004	DIODE BRUG	1
9775730	H001	SIGNAALLAMP GROEN	1
9775729	H002	SIGNAALLAMP GEEL	1
9777537	LT301	STROOMTRANSFORMATOR 1:250 PRO	1
3131320	L001	PRIMAIRE SMOORSPOEL PRO 4000-5000	1
3134070	L002	SEC. SMOORSPOEL PRO 5000	1
3131490	L003	COMMUTATION CHOKE L003 PRO	1
3143100	L004	SMOORSPOEL PRO 3000,4000	1
9544214	M001	VENTILATOR MASTER 2800/3500	2
313605098	P001	WISSELPANEEL MASTER 5000	1
4222075	RG201	VARISTOR 460V MIN 40J 6/6	1
4261810	R001	WEERSTAND 450A/60MV	1
9754152	R002	POTENTIOMETER 10 KOHM CERMET	1
9760611	S001	SCHAKELAAR	1
9761320	S002	SCHAKELAAR 1P.WISSEL	1
2059290	T001	HOOFDTRANSFORMATOR T001,PRO 5000	1
3145080	T002	HULPTRANSFORMATOR	1
4270380	VG102	IGBT PRO 5000	1
4277680	VG103	DIODEENHEID 2X20A PRO 4000	2
9750173	VG201	GELIJKRICHTER PRO 5000	1
4270380	VG202	IGBT PRO 5000	1
9750126	VG205	DIODE BRUG	1
9771540	X003	INBOUWKOPPELING DIX BE 70	2
9770116	X006	CHASSISDEELPLUG	1
4261630	Z001	PRINT Z001 PRO 5000	1
4261640	Z002	PRINT Z002 PRO 5000	1
4288810	Z003	FILTERPRINT PRO 3000, 4000	1
4277580	Z004	FILTERPRINT Z004 PRO/M5000	1
4291310	Z005	DIODEKAART PRO 5000	4
2069250	1	ISOL. V VENTILATOR	2
2059530	2	BEVESTIGINGSSTUK	24
2062900	3	PLASTIC HANDGREEP PRO 3-4-5000	2
9412690	3	VIERKANTMOER	4
4268110	4	STEUN VOOR CONDENS. PRO 3000-5000	5
4261520	5	SCHROEFDRAAD-BOUT	4
4271780	6	VLIESPANEEL MASTER 5000	1
9759111	7	KNOP D36	1
9759122	8	DEKSEL D36	1
9759109	9	KNOL D15	1
9759126	10	DEKSEL D15 ROOD	1
4273790	11	ALUMINIUM FILTER 214X304X6 AL PRO	1
2063860		SCHEMA MASTER 5000	1
9770460		STEKER 15-POLIG	2
9770464		BUSKONTAKT	24

Reference	Piece	Designation	Nbre
4271790	A001	PLATINE DE CONTROLE A001 MASTER 5000	1
4222073	C001	CONDENSATEUR 0,1UF/250VAC	3
9755264	C2	CONDENSATEUR 75 UF	5
9772517	F002	FUSIBLE 1A RETARDE 5 X 20	1
9772551	F002	PORTE FUSIBLE 5x 20	1
3131300	G001	UNITE PRIMAIRE G001 PRO 5000	1
9750126	G004	CIRCUIT DIODE	1
9775730	H001	LAMPE TEMOIN VERTE	1
9775729	H002	LAMPE TEMOIN JAUNE	1
9777537	LT301	TRANSFORM.D'INTENS. 1:250 PRO	1
3131320	L001	BOBINE DE SELF PRIM. PRO 4000-5000	1
3134070	L002	SELF SECONDAIRE L002 PRO 5000	1
3131490	L003	MODULE COMMUTATION L003 PRO	1
3143100	L004	INDUCTANCE PRO 3000,4000	1
9544214	M001	VENTILATEUR MASTER 2800/3500	2
313605098	P001	PANNEAU D'ECHANGE MASTER 5000	1
4222075	RG201	VARISTOR 460V MIN 40J 6/6	1
4261810	R001	SHUNT 450A/60MV	1
9754152	R002	POTENTIOMETRE 10 KOHM CERMET	1
9760611	S001	INTERRUPTEUR	1
9761320	S002	INTERRUPTEUR 1 P.	1
2059290	T001	TRANSFO PRINCIPAL T001,PRO 5000	1
3145080	T002	TRANSFORM.AUXILIAIRE	1
4270380	VG102	IGBT PRO 5000 G001 PRO 5000	1
4277680	VG103	DIODES 2X20A PRO 4000	2
9750173	VG201	REDRESSEUR PRO 5000	1
4270380	VG202	IGBT PRO 5000 G001 PRO 5000	1
9750126	VG205	CIRCUIT DIODE	1
9771540	X003	CONNECTEUR DIX BE 70	2
9770116	X006	CHASSIS PRISE 10P FEMELLE	1
4261630	Z001	CARTE Z001 PRO 5000	1
4261640	Z002	CARTE Z002 PRO 5000	1
4288810	Z003	CARTE PRO 3000, 4000	1
4277580	Z004	CARTE FILTRE Z004 PRO/M5000	1
4291310	Z005	CARTE DIODE PRO 5000	4
2069250	1	ISOLAT./VENTILATEUR	2
2059530	2	PCE DE FIXATION PRO	24
2062900	3	POIGNEE PLASTIQUE 26X50X217/188	2
9412690	3	ECROU CARRE	4
4268110	4	SUPPORT/CONDENS. PRO 3000-5000	5
4261520	5	BOULON FILETTE	4
4271780	6	PANNEAU/MEMBRANE MASTER 5000	1
9759111	7	BOUTON D36	1
9759122	8	COUVERCLE D36	1
9759109	9	BOUTON D15	1
9759126	10	COUVERCLE D15 ROUGE	1
4273790	11	PLATINE DE FILTRAGE 214X304X6 AL PRO	1
2063860		SCHEMA ELECTRIQUE MASTER 5000	1
9770460		PRISE MALE 15 POLES	2
9770464		TRIMEUR	24



KEMPPI	MASTER 5000	TARRA		PIIRT LN	TARK
		KOKO	VALM.OHJE	25.01.2000	
		A4	KES-54-002	2063860C	